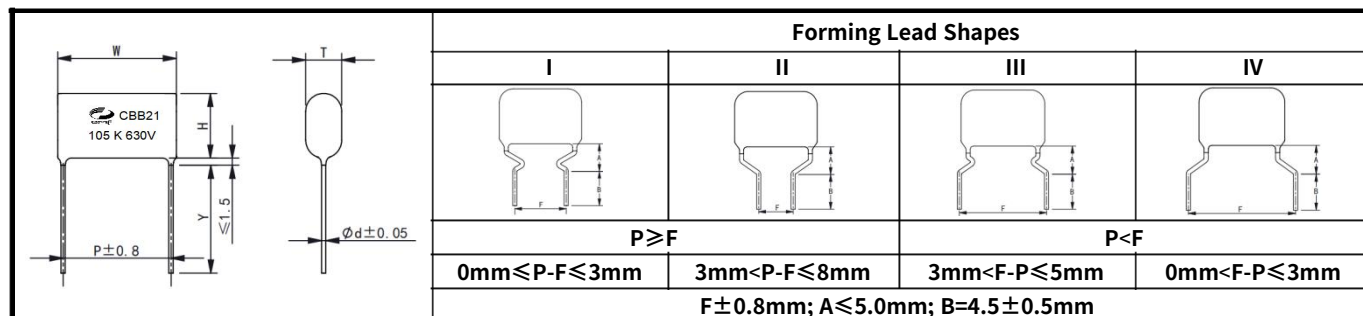


CBB21型金属化聚丙烯膜电容器(浸渍型) CBB21 Type Metallized polypropylene film capacitor(dipped)

外形图 Outline Drawing



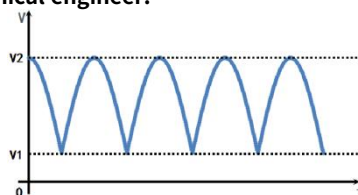
特点

- 金属化聚丙烯膜
- 良好的电性能
- 阻燃环氧粉末包封 (UL94/V-0)

主要用途

- 用于开关电源、电子镇流器和变频器等中间电路直流滤波 (如: DC-Link、PFC等)

a: The series product is only recommended to use in DC-filter or DC-blocking circuits. It means the voltage applied to the capacitor must be unidirectional ripple voltage. The typical voltage curve is as follows reference. If you have any questions for this note, please feel free to contact with our technical engineer.



Here: $V_1 \geq 0$, $V_2 \leq U_R$, $V_{rms} = (V_2 - V_1) \div \sqrt{2}$, $I_{rms} = 2 \pi f \times C \times (V_2 - V_1) \div \sqrt{2}$
 U_R is the rated voltage of the capacitor

技术要求 Specifications

引用标准 Reference Standard	GB/T 10190-2012 (IEC 60384-16)									
气候类别 Climatic Category	40/105/21									
额定温度 Rated Temperature	85°C									
工作温度 Operating Temperature Range	-40°C~105°C (+85°C to +105°C: decreasing factor 1.25% per °C for U_R)									
额定电压 Rated Voltage	250Vdc, 400Vdc, 450Vdc, 520Vdc, 630Vdc, 1000Vdc									
电容量范围 Capacitance Range	0.001μF~18.0μF									
电容量偏差 Capacitance Tolerance	±5%(J), ±10%(K)									
耐电压 Voltage Proof	1.6 U_R (25°C 5s)									
损耗角正切 Dissipation Factor	≤10 × 10 ⁻⁴ (25°C, 1kHz)			≤120 × 10 ⁻⁴ (25°C, 10kHz)						
绝缘电阻 Insulation Resistance	R ≥ 25 000MΩ, C _N ≤ 0.33μF RC _N ≥ 75000s, C _N > 0.33μF (25°C, 100V, 1min)									
最大脉冲爬升速率 Maximum Pulse Rise Time (dV/dt): 若实际工作电压U比额定电压U _R 低, 电容器可工作在更高的dV/dt场合, 这样dV/dt允许值应为右表所显示值乘以U _R /U为 If the working voltage(U) is lower than the rated voltage(U _R), the capacitor can be worked at higher dV/dt. In this case, the maximum allowed dV/dt is obtain by multiplying the right value with U _R /U.	U _R (V)		dV/dt (V/μs) (c) Miniature version			dV/dt(V/μs)				
			P=10.0	P=15.0	P=22.5	P=10.0	P=15.0	P=22.5	P=27.5	
	450		95	60	30	320	200	110	25	
	520		125	85	60	360	215	160	35	
		630		200	160	70	410	320	175	45

■ 产品编码说明 Part number system

■ 27 位产品代码如下: The 27 digits part number is formed as follow:

<u>CB21.</u>	<u>104</u>	<u>J</u>	<u>2J</u>	<u>15</u>	<u>LL0</u>	<u>3R5</u>	<u>R</u>	<u>2</u>	<u>000</u>	<u>C30</u>
型号	容量	容偏	电压	脚距	脚形	脚长	颜色	线径	特征	膜厚留边

第 1~5 位 型号代码

CB21. = CBB21

第 6~8 位 标称容量

举例: **103=10×10 pF=0.01μF**

第 9 位 容量偏差

J=±5%,K=±10%, M=±20%

第 10~11 位 额定电压

2E=250V 2J=630V 3A=1000V

第 12~13 位 引线脚距 P

**7P=7.5mm 10=10.0mm 15=15.0mm
17=17.5mm 20=20.5mm 22=22.5mm
25=25.0mm 27=27.5mm**

第 14~16 位 引脚形状

长直脚: LL0

短直脚: SL0 90°

90° 弯切: RA0

I 型: K II 型: N III 型: W IV 型: W

第 17~19 位 引脚长度

**2R5=2.5mm 10R=10.0mm 15R=15.0mm
100=100mm 编带料 = 000mm**

第 20 位 颜色

红色=R, 黄色=Y, 灰色=G, 黑色=B

第 21 位 引线直径

CP: 1=0.6mm, 2=0.75mm, 3=0.8mm

Cu: A=0.6mm, B=0.7mm, C=0.75mm

第 22~24 位 内部特征

低功耗=P, 低温升=T, 低噪音=N

高方阻=R, 无卤=H, 双 85=B

第 25~27 位 膜厚及留边 厚 8 μm 留边 2mm=U20

Digit 1 to 5 Series code

CB21. = CBB21

Digit 6 to 8 Rated capacitance value

for example: 103=10×10pF=0.01μF

Digit 9 Capacitance tolerance

J=±5%,K=±10%, M=±20%

Digit 10 to 11 D.C. rated voltage

2E=250V 2J=630V 3A=630V

Digit 10 to 13 Pitch

**7P=7.5mm 10=10.0mm 15=15.0mm
17=17.5mm 20=20.5mm 22=22.5mm
25=25.0mm 27=27.5mm**

Digit 14 to 16 Pin shape

Long straight leads: LL0

Short straight leads: SL0

90° bending:RA0

I 型: K II 型: N III 型: W IV 型: W

Digit 17 to 19 Lead length

**2R5=2.5mm 10R=10.0mm 15R=15.0mm
100=100mm braid = 000mm**

Digit 20 Colour

Red=R, Yellow=Y, Gray=G, Black=B

Digit 21 Lead diameter

CP: 1=0.6mm, 2=0.75mm, 3=0.8mm

Cu: A=0.6mm, B=0.7mm, C=0.75mm

Digit 22 to 24 Internal characteristics

Low power=P, Low temperature rise=T, Low noise=N

High square resistance=R, halogen-free=H, Double 85=B

Digit 25 to 27 Film thickness and leave edge 8*2=U20

■ 外形尺寸 Dimensions(mm)

250Vdc							520Vdc							630Vdc							
C _N (μF)	W max	H max	T max	P	d	Part number	C _N (μF)	W max	H max	T max	P	d	Part number	C _N (μF)	W max	H max	T max	P	d	Part number	
0.047	10.5	9.5	6.0	7.5	0.6	CB21.473J2E****	0.068	12.5	7.7	4.0	10.0	0.6	CB21.683J2J****	0.047	12.5	8.8	4.3	10.0	0.6	CB21.473J2J****	
0.10	10.5	9.5	6.0	7.5	0.6	CB21.104J2E****	0.082	12.5	7.9	4.2	10.0	0.6	CB21.823J2J****	0.068	12.5	9.2	4.9	10.0	0.6	CB21.683J2J****	
0.047	12.5	11.0	5.5	10.0	0.6	CB21.473J2E****	0.10	12.5	8.8	4.5	10.0	0.6	CB21.104J2J****	0.082	12.5	9.4	5.0	10.0	0.6	CB21.823J2J****	
0.10	12.5	9.8	4.6	10.0	0.6	CB21.104J2E****	0.12	12.5	8.8	4.8	10.0	0.6	CB21.124J2J****	0.10	12.5	9.6	5.2	10.0	0.6	CB21.104J2J****	
0.22	12.5	10.5	5.6	10.0	0.6	CB21.224J2E****	0.15	12.5	9.5	4.9	10.0	0.6	CB21.154J2J****	0.12	12.5	9.9	5.4	10.0	0.6	CB21.124J2J****	
0.27	12.5	10.5	5.8	10.0	0.6	CB21.274J2E****	0.18	12.5	10.2	5.3	10.0	0.6	CB21.184J2J****	0.15	12.5	10.4	5.6	10.0	0.6	CB21.154J2J****	
0.33	12.5	11.0	6.5	10.0	0.6	CB21.334J2E****	0.22	12.5	10.4	5.7	10.0	0.6	CB21.224J2J****	0.18	12.5	11.0	6.5	10.0	0.6	CB21.184J2J****	
0.39	12.5	11.5	6.8	10.0	0.6	CB21.394J2E****	0.33	12.5	11.5	7.0	10.0	0.6	CB21.334J2J****	0.22	12.5	11.6	7.1	10.0	0.6	CB21.224J2J****	
0.47	12.5	12.0	7.3	10.0	0.6	CB21.474J2E****	0.47	12.5	15.0	7.5	10.0	0.6	CB21.474J2J****	0.27	12.5	12.5	7.5	10.0	0.6	CB21.27J2J****	
1.0	12.5	15.0	9.6	10.0	0.6	CB21.105J2E****	0.18	18.0	9.3	4.7	15.0	0.75	CB21.184J2J****	0.10	18.0	9.5	4.9	15.0	0.75	CB21.104J2J****	
0.22	18.0	10.2	6.4	15.0	0.75	CB21.224J2E****	0.22	18.0	9.6	5.0	15.0	0.75	CB21.224J2J****	0.18	18.0	10.3	5.2	15.0	0.75	CB21.184J2J****	
0.33	18.0	10.5	6.6	15.0	0.75	CB21.334J2E****	0.27	18.0	10.0	5.4	15.0	0.75	CB21.274J2J****	0.22	18.0	10.8	5.3	15.0	0.75	CB21.224J2J****	
0.39	18.0	10.8	6.9	15.0	0.75	CB21.394J2E****	0.33	18.0	11.0	5.5	15.0	0.75	CB21.334J2J****	0.27	18.0	11.2	5.8	15.0	0.75	CB21.274J2J****	
0.47	18.0	11.3	7.1	15.0	0.75	CB21.474J2E****	0.39	18.0	11.8	6.4	15.0	0.75	CB21.394J2J****	0.33	18.0	12.8	5.8	15.0	0.75	CB21.334J2J****	
0.56	18.0	11.8	7.4	15.0	0.75	CB21.564J2E****	0.47	18.0	12.3	6.9	15.0	0.75	CB21.474J2J****	0.39	18.0	13.1	6.7	15.0	0.75	CB21.394J2J****	
0.68	18.0	13.5	7.8	15.0	0.75	CB21.684J2E****	0.56	18.0	12.8	7.3	15.0	0.75	CB21.564J2J****	0.47	18.0	13.5	7.6	15.0	0.75	CB21.474J2J****	
0.82	18.0	13.8	8.0	15.0	0.75	CB21.824J2E****	0.68	18.0	14.4	7.5	15.0	0.75	CB21.684J2J****	0.56	18.0	14.7	7.8	15.0	0.75	CB21.564J2J****	
1.0	18.0	14.2	8.5	15.0	0.75	CB21.105J2E****	0.82	18.0	14.9	8.0	15.0	0.75	CB21.824J2J****	0.68	18.0	15.4	8.4	15.0	0.75	CB21.684J2J****	
1.2	18.0	15.0	8.7	15.0	0.75	CB21.125J2E****	1.0	18.0	15.7	8.7	15.0	0.75	CB21.105J2J****	0.82	18.0	17.3	8.9	15.0	0.75	CB21.824J2J****	
1.5	18.0	16.0	9.3	15.0	0.75	CB21.155J2E****	1.2	18.0	16.4	9.5	15.0	0.75	CB21.125J2J****	1.0	18.0	18.0	9.3	15.0	0.75	CB21.105J2J****	
1.8	18.0	16.8	9.8	15.0	0.8	CB21.185J2E****	1.5	18.0	17.8	10.3	15.0	0.75	CB21.155J2J****	1.2	18.0	18.5	11.0	15.0	0.75	CB21.125J2J****	
2.2	18.0	17.5	10.5	15.0	0.8	CB21.225J2E****	0.56	25.5	11.5	6.1	22.5	0.8	CB21.564J2J****	0.47	23.0	13.5	6.7	20.0	0.8	CB21.474J2J****	
0.47	23.0	10.6	6.2	20.0	0.8	CB21.474J2E****	0.68	25.5	12.0	6.5	22.5	0.8	CB21.684J2J****	1.00	23.0	12.3	6.9	20.0	0.8	CB21.105J2J****	
2.0	23.0	18.0	11.0	20.0	0.8	CB21.205J2E****	0.82	25.5	12.5	7.1	22.5	0.8	CB21.824J2J****	0.68	25.5	12.8	7.5	22.5	0.8	CB21.684J2J****	
2.7	23.0	19.2	11.5	20.0	0.8	CB21.275J2E****	1.0	25.5	14.1	7.1	22.5	0.8	CB21.105J2J****	0.82	25.5	13.4	8.0	22.5	0.8	CB21.824J2J****	
3.0	23.0	19.5	12.0	20.0	0.8	CB21.305J2E****	1.2	25.5	14.6	7.6	22.5	0.8	CB21.125J2J****	1.0	25.5	15.1	8.2	22.5	0.8	CB21.105J2J****	
335	23.0	20.5	12.5	20.0	0.8	CB21.335J2E****	1.5	25.5	16.4	7.9	22.5	0.8	CB21.155J2J****	1.2	25.5	15.7	8.7	22.5	0.8	CB21.125J2J****	
1.0	25.5	13.8	6.9	22.5	0.8	CB21.105J2E****	1.8	25.5	17.1	8.5	22.5	0.8	CB21.185J2J****	1.5	25.5	17.6	9.1	22.5	0.8	CB21.155J2J****	
1.5	25.5	14.5	7.53	22.5	0.8	CB21.155J2E****	2.2	25.5	17.9	9.4	22.5	0.8	CB21.225J2J****	1.8	25.5	18.5	9.9	22.5	0.8	CB21.185J2J****	
1.8	25.5	14.9	7.9	22.5	0.8	CB21.185J2E****	2.7	25.5	18.9	10.3	22.5	0.8	CB21.275J2J****	2.2	25.5	19.5	10.9	22.5	0.8	CB21.225J2J****	
2.2	25.5	16.8	8.3	22.5	0.8	CB21.225J2E****	3.3	25.5	20.0	11.4	22.5	0.8	CB21.335J2J****	2.7	25.5	20.6	12.1	22.5	0.8	CB21.275J2J****	
2.7	25.5	17.5	9.0	22.5	0.8	CB21.275J2E****	3.9	25.5	20.9	12.4	22.5	0.8	CB21.395J2J****	3.3	25.5	22.8	12.7	22.5	0.8	CB21.335J2J****	
3.3	25.5	18.3	9.8	22.5	0.8	CB21.335J2E****	1.2	30.5	15.0	6.5	27.5	0.8	CB21.125J2J****	1.0	30.5	15.4	6.9	27.5	0.6	CB21.105J2J****	
3.9	25.5	19.4	10.6	22.5	0.8	CB21.395J2E****	1.5	30.5	15.7	7.1	27.5	0.8	CB21.155J2J****	1.2	30.5	16.0	7.4	27.5	0.6	CB21.125J2J****	
4.7	25.5	20.1	11.6	22.5	0.8	CB21.475J2E****	1.8	30.5	17.4	7.3	27.5	0.8	CB21.185J2J****	1.5	30.5	16.8	8.2	27.5	0.8	CB21.155J2J****	
5.6	25.5	21.3	12.5	22.5	0.8	CB21.565J2E****	2.2	30.5	18.1	8.0	27.5	0.8	CB21.225J2J****	1.8	30.5	18.5	8.4	27.5	0.8	CB21.185J2J****	
1.5	30.5	14.8	6.3	27.5	0.8	CB21.155J2E****	2.7	30.5	18.9	8.8	27.5	0.8	CB21.275J2J****	2.2	30.5	19.4	9.3	27.5	0.8	CB21.225J2J****	
1.8	30.5	15.3	6.7	27.5	0.8	CB21.185J2E****	3.3	30.5	19.8	9.7	27.5	0.8	CB21.335J2J****	2.7	30.5	20.4	10.2	27.5	0.8	CB21.275J2J****	
2.2	30.5	15.8	7.3	27.5	0.8	CB21.225J2E****	3.9	30.5	20.6	10.5	27.5	0.8	CB21.395J2J****	3.3	30.5	23.6	10.3	27.5	0.8	CB21.335J2J****	
2.7	30.5	16.5	8.1	27.5	0.8	CB21.275J2E****	4.7	30.5	23.7	10.5	27.5	0.8	CB21.475J2J****	3.9	30.5	24.5	11.2	27.5	0.8	CB21.395J2J****	
3.3	30.5	17.5	8.8	27.5	0.8	CB21.335J2E****	5.6	30.5	24.8	11.5	27.5	0.8	CB21.565J2J****	4.7	30.5	25.7	12.4	27.5	0.8	CB21.475J2J****	
3.9	30.5	18.2	9.1	27.5	0.8	CB21.395J2E****	6.8	30.5	26.0	12.8	27.5	0.8	CB21.685J2J****	5.6	30.5	26.9	13.7	27.5	0.8	CB21.565J2J****	
4.7	30.5	19.6	9.6	27.5	0.8	CB21.475J2E****	8.2	30.5	27.5	14.2	27.5	0.8	CB21.825J2J****	6.8	30.5	28.5	15.2	27.5	0.8	CB21.685J2J****	
5.6	30.5	21.5	10.1	27.5	0.8	CB21.565J2E****	10.0	30.5	29.0	15.7	27.5	0.8	CB21.106J2J****	8.2	30.5	30.2	16.9	27.5	0.8	CB21.825J2J****	
6.8	30.5	24.1	10.6	27.5	0.8	CB21.685J2E****	12.0	30.5	28.9	18.8	27.5	0.8	CB21.126J2J****	10.0	30.5	30.5	20.5	27.5	0.8	CB21.106J2J****	
8.2	30.5	25.3	11.8	27.5	0.8	CB21.825J2E****	15.0	30.5	33.5	20.0	27.5	0.8	CB21.156J2J****								
10.0	30.5	26.5	13.2	27.5	0.8	CB21.106J2E****															
12.0	30.5	28.5	13.5	27.5	0.8	CB21.126J2E****															
15.0	30.5	27.9	17.8	27.5	0.8	CB21.156J2E****															
18.0	30.5	29.7	19.6	27.5	0.8	CB21.186J2E****															

备注Note: 1. “J”表示容量偏差。J=5%, K=±10%, M=±20%。
2. “****”表示产品编码的后续部分

“-”=capacitance tolerance code. J=5%, K=±10%, M=±20%。
“****”=Represents the subsequent part of the product code

■ 外形尺寸 Dimensions(mm)

450Vdc(含400Vdc)							450Vdc(含400Vdc)							1000Vdc						
C _N (μF)	W max	H max	T max	P	d	Part number	C _N (μF)	W max	H max	T max	P	d	Part number	C _N (μF)	W max	H max	T max	P	d	Part number
0.01	10.5	8.0	5.0	7.5	0.6	CB21.103J2S****	2.2	23.0	22.0	14.5	22.5	0.8	CB21.225J2S****	0.001	10.5	8.0	3.5	7.5	0.6	CB21.102J2S****
0.015	10.5	9.0	5.5	7.5	0.6	CB21.153J2S****	2.7	23.0	23.0	15.5	22.5	0.8	CB21.275J2S****	0.010	12.5	8.0	4.2	10.0	0.6	CB21.103J2S****
0.022	10.5	10.0	5.8	7.5	0.6	CB21.223J2S****	3.3	23.0	24.0	16.5	22.5	0.8	CB21.335J2S****	0.022	12.5	9.3	4.8	10.0	0.6	CB21.223J2S****
0.033	10.5	10.5	6.0	7.5	0.6	CB21.333J2S****	0.68	30.5	13.5	6.0	27.5	0.8	CB21.684J2S****	0.047	12.5	9.7	5.2	10.0	0.6	CB21.473J2S****
0.047	10.5	11.0	6.5	7.5	0.6	CB21.473J2S****	0.82	30.5	14.0	6.5	27.5	0.8	CB21.824J2S****	0.082	12.5	10.0	5.6	10.0	0.6	CB21.823J2S****
0.068	10.5	11.5	7.0	7.5	0.6	CB21.683J2S****	1.0	30.5	14.5	7.5	27.5	0.8	CB21.105J2S****	0.1	12.5	11.0	6.1	10.0	0.6	CB21.104J2S****
0.10	10.5	12.0	7.5	7.5	0.6	CB21.104J2S****	1.2	30.5	16.5	7.9	27.5	0.8	CB21.125J2S****	0.12	12.5	11.6	6.5	10.0	0.6	CB21.124J2S****
0.01	12.5	11.0	7.0	10.0	0.6	CB21.103J2S****	1.5	30.5	17.5	8.8	27.5	0.8	CB21.155J2S****	0.15	12.5	12.0	7.1	10.0	0.6	CB21.154J2S****
0.047	12.5	8.5	5.5	10.0	0.6	CB21.473J2S****	1.8	30.5	18.0	9.5	27.5	0.8	CB21.185J2S****	0.18	12.5	12.5	7.6	10.0	0.6	CB21.184J2S****
0.10	12.5	10.0	6.0	10.0	0.6	CB21.104J2S****	2.2	30.5	20.0	9.8	27.5	0.8	CB21.225J2S****	0.10	18.0	9.9	5.3	15.0	0.75	CB21.104J2S****
0.15	12.5	11.0	6.5	10.0	0.6	CB21.154J2S****	2.7	30.5	22.5	10.2	27.5	0.8	CB21.275J2S****	0.12	18.0	10.2	5.6	15.0	0.75	CB21.124J2S****
0.22	12.5	12.0	7.0	10.0	0.6	CB21.224J2S****	3.3	30.5	24.5	11.0	27.5	0.8	CB21.335J2S****	0.15	18.0	10.6	6.0	15.0	0.75	CB21.154J2S****
0.33	12.5	12.5	7.5	10.0	0.6	CB21.334J2S****	3.9	30.5	25.5	12.0	27.5	0.8	CB21.394J2S****	0.18	18.0	11.2	6.5	15.0	0.75	CB21.184J2S****
0.39	12.5	13.0	8.0	10.0	0.6	CB21.394J2S****	4.7	30.5	26.6	13.5	27.5	0.8	CB21.475J2S****	0.22	18.0	11.7	6.9	15.0	0.75	CB21.224J2S****
0.47	12.5	13.5	8.5	10.0	0.6	CB21.474J2S****	5.6	30.5	28.0	14.7	27.5	0.8	CB21.565J2S****	0.27	18.0	12.6	7.3	15.0	0.75	CB21.274J2S****
0.56	12.5	15.0	9.0	10.0	0.6	CB21.564J2S****	6.8	30.5	29.5	16.5	27.5	0.8	CB21.685J2S****	0.33	18.0	13.1	7.8	15.0	0.75	CB21.334J2S****
0.68	12.5	15.8	9.5	10.0	0.6	CB21.684J2S****	8.2	30.5	31.5	18.	27.5	0.8	CB21.824J2S****	0.39	18.0	15.2	8.4	15.0	0.75	CB21.394J2S****
0.82	12.5	16.3	10.0	10.0	0.7	CB21.824J2S****	10.0	30.5	33.5	20.5	27.5	0.8	CB21.106J2S****	0.47	18.0	15.9	8.9	15.0	0.8	CB21.474J2S****
1.0	12.5	17.0	10.5	10.0	0.7	CB21.105J2S****								0.56	18.0	16.6	9.3	15.0	0.8	CB21.564J2S****
0.33	18.0	11.5	5.5	15.0	0.75	CB21.334J2S****								0.68	18.0	17.4	9.9	15.0	0.8	CB21.684J2S****
0.47	18.0	12.5	6.5	15.0	0.75	CB21.474J2S****								0.82	18.0	18.3	10.6	15.0	0.8	CB21.824J2S****
0.56	18.0	14.0	8.0	15.0	0.75	CB21.564J2S****								1.0	18.0	19.5	12.5	15.0	0.8	CB21.105J2S****
0.68	18.0	15.0	9.0	15.0	0.75	CB21.684J2S****								0.33	25.5	11.9	6.5	22.5	0.8	CB21.334J2S****
0.82	18.0	16.5	9.5	15.0	0.75	CB21.824J2S****								0.39	25.5	12.5	7.0	22.5	0.8	CB21.394J2S****
1.00	18.0	17.5	10.0	15.0	0.75	CB21.105J2S****								0.47	25.5	14.3	7.5	22.5	0.8	CB21.474J2S****
2.20	18.0	18.5	11.0	15.0	0.75	CB21.225J2S****								0.56	25.5	14.8	8.1	22.5	0.8	CB21.564J2S****
0.47	23.0	14.0	7.5	22.5	0.8	CB21.474J2S****								0.68	25.5	16.5	8.5	22.5	0.8	CB21.684J2S****
0.68	23.0	16.5	9.0	22.5	0.8	CB21.684J2S****								0.82	25.5	17.0	9.1	22.5	0.8	CB21.824J2S****
1.00	23.0	19.0	10.0	22.5	0.8	CB21.105J2S****								1.0	25.5	17.9	9.6	22.5	0.8	CB21.105J2S****
1.50	23.0	20.5	12.5	22.5	0.8	CB21.155J2S****								1.2	25.5	18.8	10.3	22.5	0.8	CB21.125J2S****

备注Note: 1. “J”表示容量偏差J=±5%, K=±10%, M=±20%。
2. “****”表示产品编码的后续部分

“-”=capacitance tolerance code. J=±5%, K=±10%, M=±20%.
**** = Represents the subsequent part of the product code